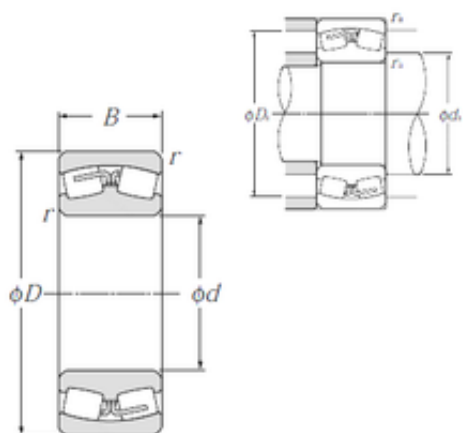




China ucp205 Bearing Supplier

241/710B NTN Spherical Roller Bearings



Bearing No. 241/710B

Size	710x1150x438 mm
Bore Diameter	710 mm
Outer Diameter	1150 mm
Width	438 mm
d	710 mm
D	1 150 mm
B	438 mm
C	438 mm
r min.	9,5 mm
da min.	754 mm
Da max.	1 106 mm
ra max.	8 mm
Weight	1 800 Kg
Basic dynamic load rating (C)	14 500 kN
Basic static load rating (C0)	32 000 kN
(Grease) Lubrication Speed	220 r/min
(Oil) Lubrication Speed	280 r/min
Calculation factor (e)	0,37
Calculation factor (Y0)	1,76
Calculation factor (Y1)	1,8

241/710B Bearing 2D drawings and 3D CAD models